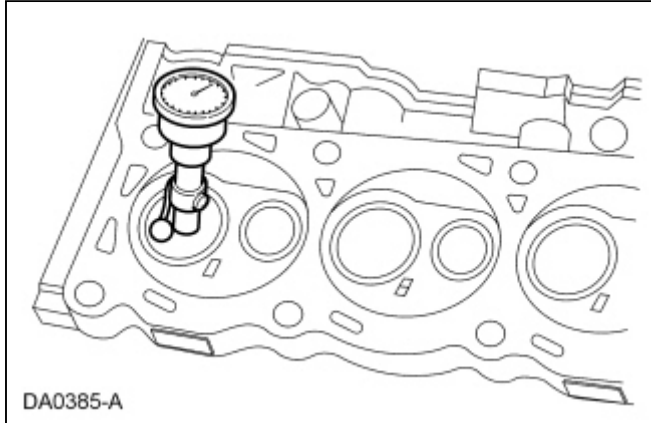


Valve Seat Runout

NOTE: Refer to the appropriate Section 303-01 for the specification.

1. Use a valve seat runout gauge to check valve seat runout.



DA0385-A
